

Z5377

E6 Swivel bracket

Mounting instructions (1.2 EN)

Contents

1. Product description and scope of supply.....	3
2. Intended use.....	3
3. Safety precautions.....	4
4. Assembly.....	4
5. Operation.....	4
6. Maintenance and care.....	5
7. Disposal.....	5
Manufacturer's declarations.....	6

General Information

Z5377 E6 Swivel bracket
Mounting instructions

Version 1.2 EN, 02/2014, D2985.EN .01

Copyright © 2014 d&b audiotechnik GmbH; all rights reserved.

**Keep this manual with the product or in a safe place
so that it is available for future reference.**

d&b audiotechnik GmbH
Eugen-Adolff-Strasse 134, D-71522 Backnang, Germany
Telephone +49-7191-9669-0, Fax +49-7191-95 00 00
E-mail: docadmin@dbaudio.com, Internet: www.dbaudio.com

Z5377, E6 Swivel bracket

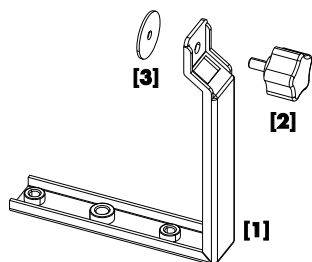


Fig. 1: Z5377 E6 Swivel bracket

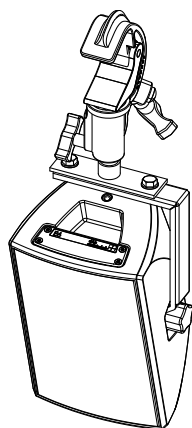


Fig. 2: Z5377 E6 Swivel bracket with Z5010 TV spigot with fixing plate Z5012 Pipe clamp for TV spigot

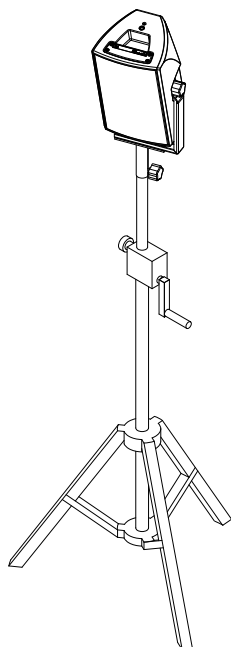


Fig. 3: Z5377 E6 Swivel bracket with Z5024 Loudspeaker stand adapter with fixing plate

1. Product description and scope of supply

The Z5377 E6 Swivel bracket allows E6 loudspeaker cabinets to be mounted and set to different horizontal or vertical angles. For this purpose two M8 threaded inserts at the d&b standard spacing of 115 mm (4.5") together with a center M10 thread are integrated in the tie bar of the bracket.

Scope of supply

Please verify the shipment for completeness and proper condition of the items.

Qty.	d&b Code	Description
1	Z5377	E6 Swivel bracket [1]
1	Q9049.40	Hand bolt M8 x 16 [2]
1		Rubber washer [3]
1	D2985.INT.	Mounting instructions

Weight and dimensions

Weight.....0.5 kg (1.1 lb)

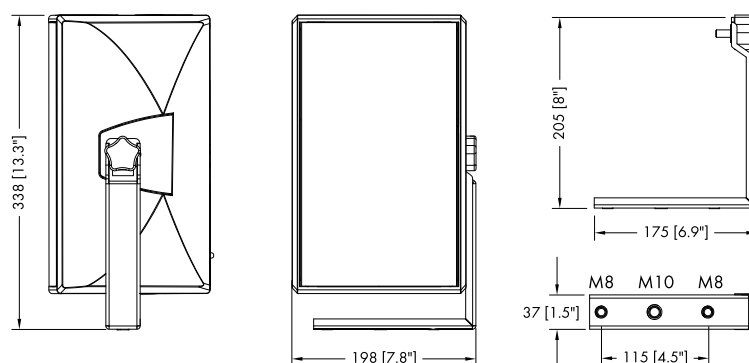


Fig. 4: Dimensions in mm [inch]

2. Intended use

The E6 Swivel bracket must only be used in conjunction with d&b E6 loudspeakers as described in these mounting instructions.

Installation and set up should only be carried out by qualified and authorized personnel observing the valid national Rules of Prevention of Accident (RPA).

It is the responsibility of the person installing the assembly to ensure that the suspension/fixing points are suitable for the intended use.

The swivel bracket can be mounted to bars and trusses with a tube diameter of up to 70 mm (2.75") using the following d&b accessories:

- Z5010, TV spigot with fixing plate
- Z5012, Pipe clamp for TV spigot

The swivel bracket can be fitted to a loudspeaker stand using the Z5024 or Z5034 Loudspeaker stand adapters.

Observe the maximum permitted load of the mounting accessories as stated in the respective mounting instructions.

3. Safety precautions

General safety

Always carry out a visual and functional inspection of the bracket before use. In case you have any doubt as to the proper functioning and safety of the bracket, do not use it. Please also refer to section 6. Maintenance and care on page 5.

Load safety information

The maximum permitted working load of the bracket is **5 kg (11 lb)** (according to BGV C1) which corresponds to the weight of one E6 loudspeaker.

Always align the bracket vertically when using it, whether it is suspended or placed on top of a loudspeaker stand.

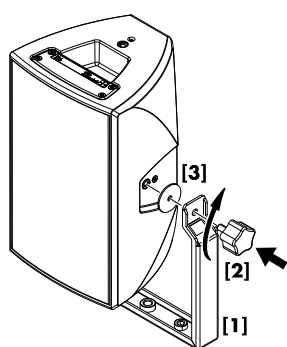
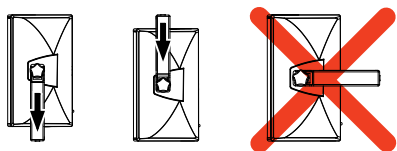


Fig. 5: Assembly

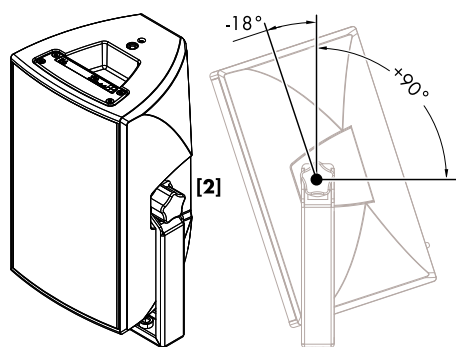


Fig. 6: Operation

4. Assembly

NOTICE

Please do not use other fixing screws than those supplied and specified.

Make sure the handle always faces to the top whether the cabinet is intended to be flown or mounted on a high stand as shown in Fig. 2 and 3 on page 3.

The bracket [1] is locked in place on one side of the cabinet using the hand bolt [2].

No tools required.

1. Fit the bracket [1] into the recessed area of the cabinet side panel.
2. Fix the bracket to the cabinet using the M10 hand bolt [2].

5. Operation

The center of gravity of the E6 loudspeaker is in line with the bracket's axis of rotation. This prevents the vertical flying angle setting from limiting freedom of movement by creating a twisting force on the mounting support.

The vertical angle can be set in a range of $+90^\circ$ to -18° .

Vertical alignment

1. Slacken the hand bolt [2].
2. Set the cabinet to the desired vertical angle.
3. Retighten the hand bolt.

Horizontal alignment

The loudspeaker is aligned horizontally via the Loudspeaker stand adapter or the TV spigot mounting.

6. Maintenance and care

Storing/Transport

The surface treatment temporarily protects the swivel bracket against moisture. However, ensure the bracket is in a dry state when storing and transporting it.

During transport ensure the bracket is not stressed or damaged by mechanical forces. Use suitable transport cases.

Cleaning

Regularly clean and lubricate the swivel bracket using WD-40® or a similar product.

Inspections

To eliminate the potential risk of accident due to malfunctioning of the bracket, regularly carry out a visual and functional inspection of the bracket.

If the bracket fails to operate correctly and/or safely, it must be withdrawn from use immediately.

Carry out a visual inspection of the bracket regarding obvious deformation and damage (e.g. cracks and corrosion).

Carry out a visual inspection of the weld strength and the threaded inserts in the tie bar of the bracket for damage (e.g. cracks and corrosion).

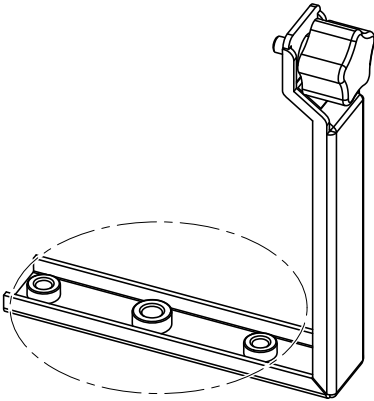


Fig. 7: Threaded inserts in the tie bar

7. Disposal

Please dispose of this product according to the respective national regulations.

Ensure that damaged rigging components are disposed of so that they cannot be used again.

Manufacturer's declarations

EC Declaration of conformity

within the meaning of the EC Machine Directive 98/37/EEC

We hereby declare that the equipment designated below is designed and built in the version sold by us in such a way as to comply with the relevant fundamental safety and health criteria of the applicable EC Directive(s). This declaration shall cease to be valid if alterations are made to the equipment without our prior agreement.

This declarations covers:

d&b E6 Swivel bracket, Z5377

To be used as described in these mounting instructions.

National standards and technical specifications applied:

DIN EN ISO 12100, DIN EN 1050, BGV C1

Backnang, June 9, 2010


(Frank Bothe, Managing Director)